



SOLAR PILE DRIVER

BORN FOR PHOTOVOLTAIC ENGINEERING

- +8613583772623
- hwdrilling@chinahwgroup.com
- www.hwdrilling.com

HWL300R SOLAR PILE DRIVER

Features:

- **Power configuration:** Diesel engines with reasonable power and superior performance provide a powerful source of power for construction operations, and the reliability of power and fuel economy have been greatly improved.
- **Hydraulic system:** Advanced hydraulic system, high-quality hydraulic components, and strict assembly process ensure the high efficiency and durability of the hydraulic system.
- **Design:** The overall frame structure is excellent, and the materials are completely national standard. High strength and good stability, in line with the design idea of industrial aesthetics, and the operator's working space is more spacious.
- **Production Process:** The production process is more reasonable, and the wear-resistant parts are all heat treated. The welding process is rigorous, the overall stress relief treatment of frame welding reduces deformation, and the testing equipment is perfect.



Main technical parameters

Product number	HWL300R	Traveling speed (km/h)	3
Hydraulic hammer model (mm)	75/85/100 optional	Vehicle weight (kg)	6200
Hydraulic hammer flow (L/min)	50-110	Engine power (kw)	85
Impact frequency (bmp)	350-800	Engine rated speed (r/min)	2600
Drill rod diameter (mm)	75/85/100	Track shoe width (mm)	350
Walking motor torque (N.m)	<11500	Track single (section)	42
Pile height (mm)	According to the slide	Total displacement of walking motor (ml/r)	53
Sliding guide frame inclination angle (°)	(Left) 5(Right) 5	Rated pressure of walking motor (mpa)	30
Frame rotation angle (°)	360	Travel motor reduction ratio	01:54.4
Hydraulic system pressure (mpa)	22	Dimensions (mm)	4420*1920*4900-7900(working state)
Gear pump displacement (ml/r)	40+40+25		4500-7500*1920*2800(transportation status)

HWL400R SOLAR PILE DRIVER

Features:

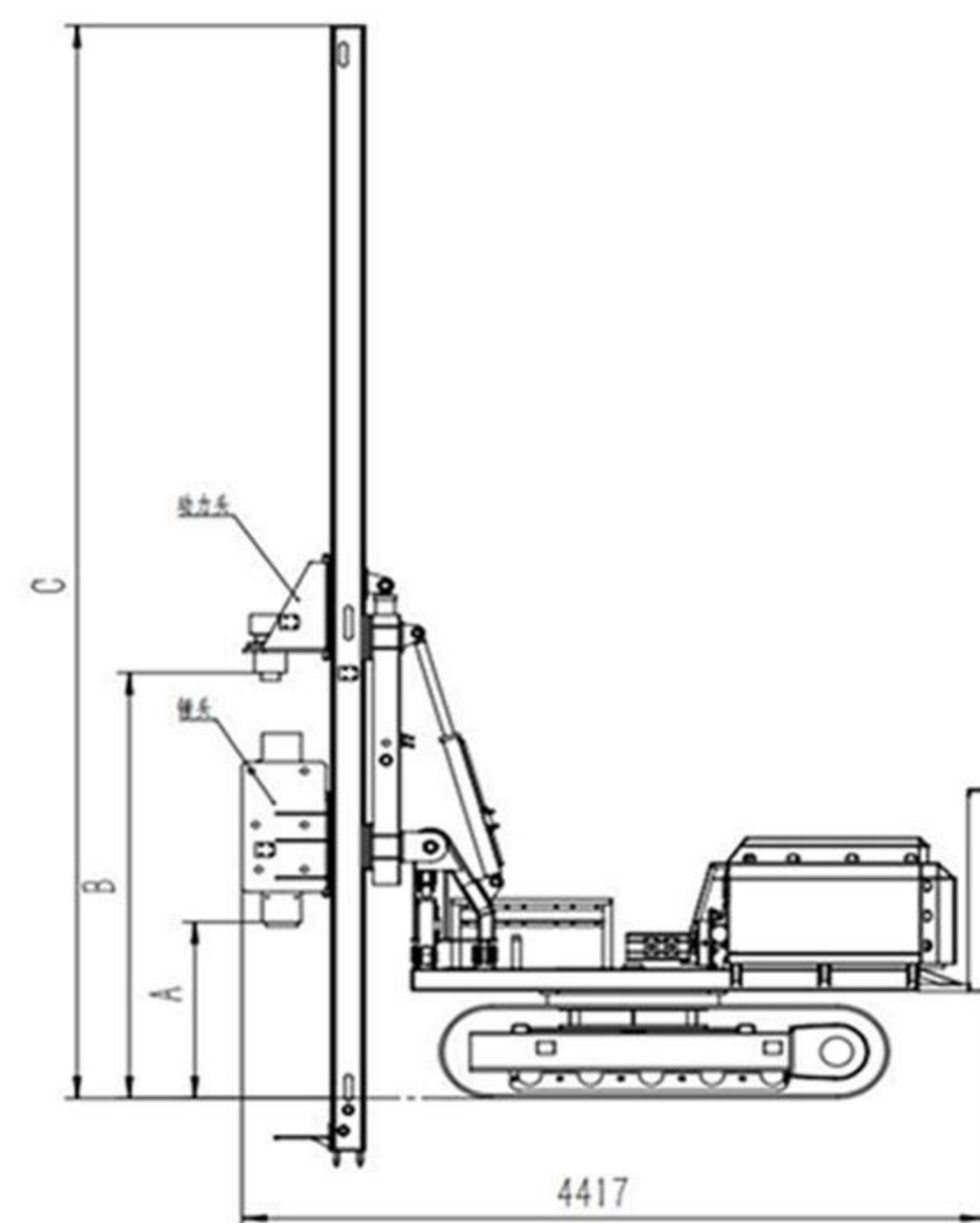
- **Power configuration:** Diesel engines with reasonable power and superior performance provide a powerful source of power for construction operations, and the reliability of power and fuel economy have been greatly improved.
- **Hydraulic system:** Advanced hydraulic system, high-quality hydraulic components, and strict assembly process ensure the high efficiency and durability of the hydraulic system.
- **Design:** The overall frame structure is excellent, and the materials are completely national standard. High strength and good stability, in line with the design idea of industrial aesthetics, and the operator's working space is more spacious.
- **Production Process:** The production process is more reasonable, and the wear-resistant parts are all heat treated. The welding process is rigorous, the overall stress relief treatment of frame welding reduces deformation, and the testing equipment is perfect.

Main technical parameters

Product number	HWL400R
Hydraulic hammer model (mm)	75/85/100 optional
Hydraulic hammer flow (L/min)	50-110
Impact frequency (bmp)	350-800
Drill rod diameter (mm)	75/85/100
Walking motor torque (N.m)	<11500
Pile height (mm)	According to the slide
Sliding guide frame inclination angle (°)	(Left) 5(Right) 5
Frame rotation angle (°)	360
Hydraulic system pressure (mpa)	22
Gear pump displacement (ml/r)	40+40+25
Traveling speed (km/h)	3
Vehicle weight (kg)	6200
Engine power (kw)	85
Engine rated speed (r/min)	2600
Track shoe width (mm)	350
Track single (section)	42
Total displacement of walking motor (ml/r)	53
Rated pressure of walking motor (mpa)	30
Travel motor reduction ratio	01:54.4
Dimensions (mm)	4420*1920*4900-7900(working state) 4500-7500*1920*2800(transportation status)



HWL500R SOLAR PILE DRIVER



Chute stroke	5000
A	320-5320
B	320-5320
C	6900

Main technical parameters

Product number	HWL500R	Traveling speed (km/h)	3
Hydraulic hammer model (mm)	75/85/100 optional	Vehicle weight (kg)	6200
Hydraulic hammer flow (L/min)	50-110	Engine power (kw)	85
Impact frequency (bmp)	350-800	Engine rated speed (r/min)	2600
Drill rod diameter (mm)	75/85/100	Track shoe width (mm)	350
Walking motor torque (N.m)	<11500	Track single (section)	42
Pile height (mm)	According to the slide	Total displacement of walking motor (ml/r)	53
Sliding guide frame inclination angle (°)	(Left) 5(Right) 5	Rated pressure of walking motor (mpa)	30
Frame rotation angle (°)	360	Travel motor reduction ratio	01:54.4
Hydraulic system pressure (mpa)	22	Dimensions (mm)	4420*1920*4900-7900(working state)
Gear pump displacement (ml/r)	40+40+25		4500-7500*1920*2800(transportation status)

HWL600R SOLAR PILE DRIVER

Product use area:

- ✓ Guardrail drilling and piling
- ✓ Piling of photovoltaic power plants
- ✓ Piling on various other sites

Main technical parameters

Product number	HWL600R	Traveling speed (km/h)	3
Hydraulic hammer model (mm)	75/85/100 optional	Vehicle weight (kg)	6200
Hydraulic hammer flow (L/min)	50-110	Engine power (kw)	85
Impact frequency (bmp)	350-800	Engine rated speed (r/min)	2600
Drill rod diameter (mm)	75/85/100	Track shoe width (mm)	350
Walking motor torque (N.m)	<11500	Track single (section)	42
Pile height (mm)	According to the slide	Total displacement of walking motor (ml/r)	53
Sliding guide frame inclination angle (°)	(Left) 5(Right) 5	Rated pressure of walking motor (mpa)	30
Frame rotation angle (°)	360	Travel motor reduction ratio	01:54.4
Hydraulic system pressure (mpa)	22	Dimensions (mm)	4420*1920*4900-7900(working state)
Gear pump displacement (ml/r)	40+40+25		4500-7500*1920*2800(transportation status)

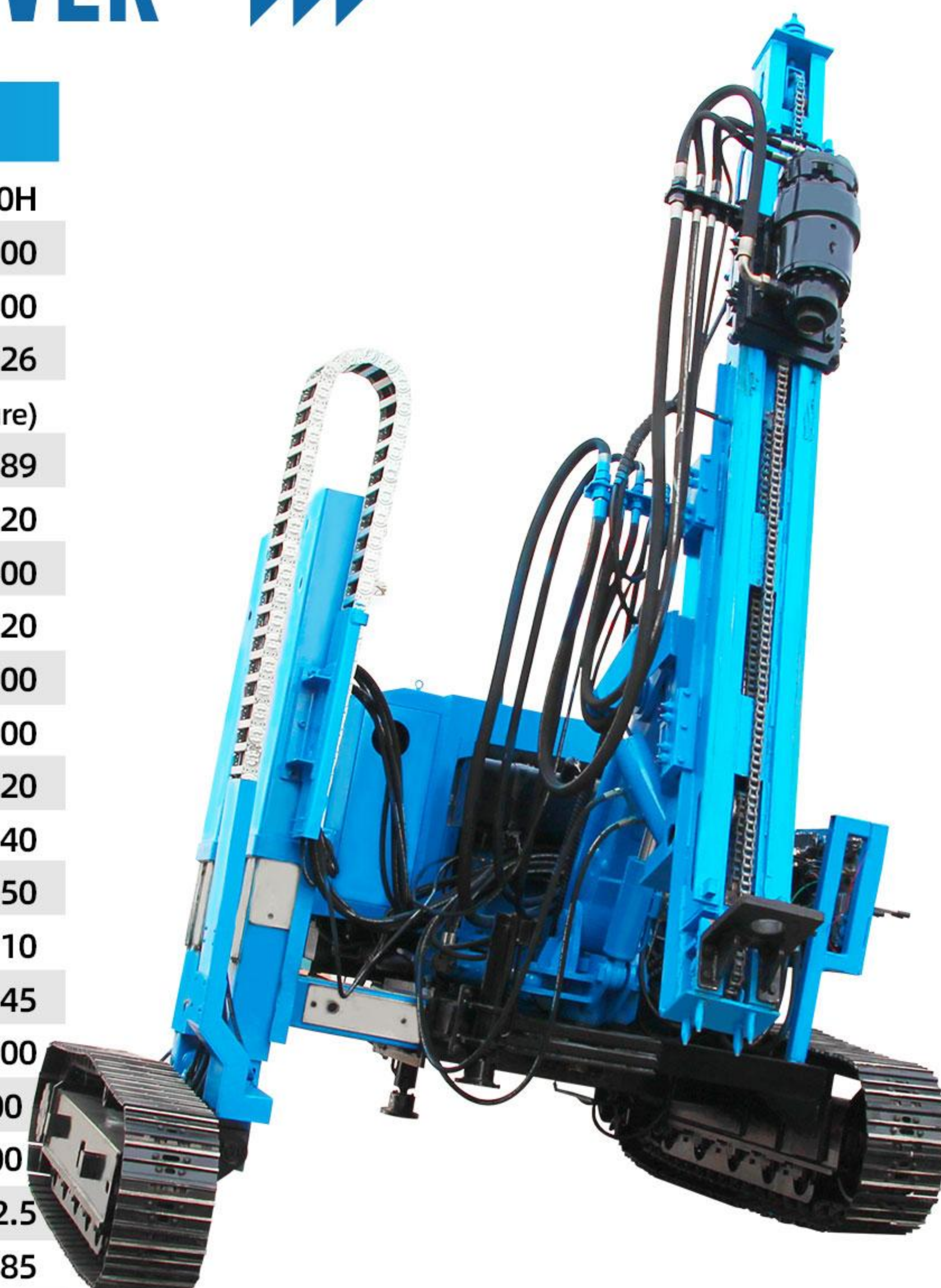


HWL390H SOLAR PILE DRIVER



Main technical parameters

Model	HWL390H
Drilling diameter(DTH hammer)(mm)	90-400
Drilling depth(m)	1-100
Air consumption (m3/min)	10-26
Working wind pressure (Mpa)	0.7-1.6 (medium-pressure) /1.6-2.46 (high pressure)
Drill Pipe Diameter(mm)	76/89
Rock hardness(F)	6-20
Drilling diameter(auger)(mm)	Maximum 400
Drilling depth(m)	20
Auger diameter(mm)	130-400
One thrust stroke (mm)	2600
Pitch Angle of slide frame (°)	120
Slide frame swing Angle(°)	left and right total 40
The Angle of the drill arm swing (°)	left and right total 50
Rotating speed(r/min)	0-110
Slope working angle (°)	45
Working dimension (L*W*H)(mm)	3500*2200*4500
Shipping dimensions	4500*2500*2800
Weight (Kg)	7300
Traveling speed (km/h)	0-2.5
Rated power (kw)	85
Max.width (mm)	2800
Expansion height of one side track (mm)	1200



PILE DRIVER ACCESSORIES



Piling head



Pile cap



Impactor



Nitrogen bottle



Nitrogen meter



Drill head

PILE DRIVER PARTS LIST



Name	Specification model	Unit	Quantity
Pile driver	HWL300/400/500/600R-D	Piece	1
Hammer	75/85/100	Piece	1
Drill pipe	75/85/100	Piece	1
Pile cap		Piece	1
Positioning sleeve		Piece	1
Spreader	2T	Piece	2
Nitrogen bottle	4L	Piece	1
Nitrogen meter		Piece	1

Name	Specification model	Unit	Quantity
User's manual		Piece	1
Engine manual	Yuchai engine	Piece	1
Hexagon head bolts	16×60 8.8	Piece	4
Hexagon head bolts	16×80 8.8	Piece	6
Flat pad	M16	Piece	10
Spring pad	M16	Piece	10
Hex nuts	M16	Piece	10
Cotter pin	M8	Piece	5
Combination pad	M14	Piece	3
Combination pad	M16	Piece	3
Combination pad	M18	Piece	5
Combination pad	M20	Piece	5
Combination pad	M22	Piece	5
Combination pad	M27	Piece	5
Combination pad	M30	Piece	3
Combination pad	M33	Piece	3
Ring 0	10×1.9	Piece	5
Ring 0	14×1.9	Piece	5
Ring 0	18×2.4	Piece	5
Ring 0	22×2.4	Piece	5
Butter spout	10×1.0	Piece	5
Wrench	300	Piece	1
Screwdriver	Torx screwdriver	Piece	1
Screwdriver	Flat-blade screwdriver	Piece	1
Wire cutters	8"	Piece	1
Grease gun		Piece	1
Toolbox	hammer	Piece	1